

# HOLLISTON™ DC Owner's Manual

## READ AND SAVE THESE INSTRUCTIONS!

Safety and the proper operation of your Casablanca fan both require a thorough knowledge of the product and proper installation; therefore, before attempting to install and operate your Casablanca fan, read this owner's manual completely and carefully. Retain this manual for future reference.

**CAUTION: To avoid possible electrical shock, make certain that electricity is turned off at the circuit breaker or fuse box before attempting any installation procedure.**

## CONTENTS

INTRODUCTION .....	5
Before You Start .....	5
Safe Use .....	5
MOUNTING RECOMMENDATIONS .....	6
General Guidelines .....	6
sloped ceiling installations .....	6
FAN INSTALLATION .....	7
Getting Started .....	7
Ceiling plate Installation .....	7
Lag Screw Installation .....	8
Canopy Installation .....	8
Fan Preparation .....	9
Hanging the Fan .....	11
Canopy Electrical Connections .....	12
Canopy Hatch and cover ring Installation .....	12
Blade Installation .....	13
LIGHT FIXTURE Installation (optional) .....	14
CONTROL INSTALLATION AND OPERATION .....	22
switch housing and end cap Installation .....	15
Control Battery Installation .....	22
Changing frequency setting .....	22
Operation CFL Mode .....	22
Control Holster Installation .....	23
Operation Speed Control .....	23
Operation Reversing Airflow .....	23
Operation Lights .....	24
TROUBLESHOOTING TIPS .....	25
CARE RECOMMENDATIONS .....	26
PRODUCT SPECIFICATIONS .....	26



**PLEASE INSPECT ALL PACKAGING PRIOR TO DISCARDING!**

Your Casablanca fan was crafted with pride and care and inspected thoroughly prior to shipment. Before you begin to assemble and install your Casablanca fan, remove all parts from the carton and check them against the Parts Guide in this manual.

Make sure all parts are included in the box using the Parts Guide on the following pages.

If there are missing or broken parts:

Call 1-888-227-2178 Monday through Friday, 7 a.m. to 4 p.m. PST. Your request will be handled immediately. Replacement parts will be sent to you via Federal Express.

**Proper Parts Handling**

Do not remove lightbulbs from their packaging until you are ready to install them.

Before discarding packaging materials, be certain that all parts have been removed.

Use a clean, dry paintbrush to remove small Styrofoam pieces that may remain after unpacking.

Do not brush Styrofoam into wiring cavities.

The blades in each pack are matched for equal weight to assure smooth fan operation. If more than one fan is being installed, do not mix blades from different cartons.

When cleaning, painting, or working near your fan, be cautious of the fan and blades.

Always turn power to the ceiling fan OFF before replacing lightbulbs or working on your fan.

Never insert anything into the path of the fan blades while the fan is in operation.

Never install a fan over a pool or spa.

Never operate a fan that has been damaged in any way.

Install the fan according to the instructions in this manual.

If the fan does not work:

Refer to the Troubleshooting Tips in this Owner's Manual.

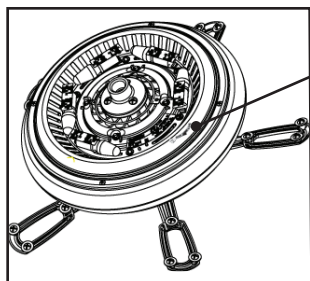
Call Technical Support at 1-888-227-2178.

Contact your local Authorized Service Center.

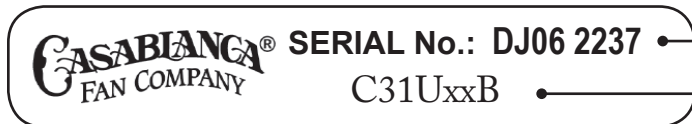
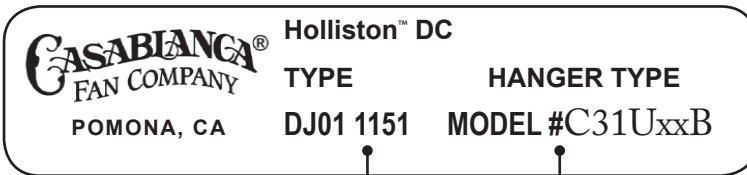
Our Web site at [www.casablancafanco.com](http://www.casablancafanco.com) contains additional information on Casablanca products, troubleshooting, and Authorized Dealer or Service Centers. Please do not return this product to the store.

**RECORD MODEL AND SERIAL NUMBERS BEFORE INSTALLATION!**

Please take a moment to locate the model number and serial number from your fan (see below) and record this information on the Warranty page inside the front cover of your Owner's Manual if it does not appear there already. These numbers are found on the motor identification plate affixed to the fan motor in the location shown below:



Motor Identification Plate
























Serial Number

Model Number



# Parts Guide

Item #	Description	Picture (not to scale)	Quantity
1.	Motor Housing		1
2.	Ceiling plate		1
3.	Phillips Screwdriver		1
4.	Screw Pack (A): 1" x 8-32" Roundhead screws and Washers		2 EA
5.	Screw Pack: Lag Screw and Washer (1)		1 EA
6.	Screw Pack (A): Wire Nuts (4),		4
7.	Canopy and Canopy Hatch		1
8.	Perma•Lock™ Downrod and Ball Assembly		1
9.	Hanging Adapter Cover		1
10.	Canopy Cover Ring		1
11.	Screw Pack (B): Canopy Screws and Lock Washers,		4 EA
12.	Allen Wrench		1

Item #	Description	Picture (not to scale)	Quantity
13.	<b>Blades</b>		5
14.	Blade Irons		5
15.	Screw Pack (C): <b>Blade Iron Screws (pre-installed, see pg 13, step 9a)</b>		11
16.	Screw Pack (D): Blade Screws and Washers		16 EA
17.	Light Kit Adaptor Assembly		1
18.	Screw Plug		1
19.	Switch Housing Cap		1
20	Screw Pack (E): Switch Housing Cap Screws 8-32 x 3/8		2
21	DC Remote Control		1



## INTRODUCTION BEFORE YOU START

- **CAUTION: RISK OF ELECTRICAL SHOCK!** Installation is to be in accordance with the National Electrical Code, ANSI/NFPA 70-1999 and local codes. If you are unfamiliar with the wiring codes, you should use a qualified electrician. To avoid overheating and possible damage to other equipment, do not install control to a receptacle, fluorescent light fixture, motor-operated appliance, or transformer-supplied appliance.
- This fan is designed to be installed on an existing electrical outlet box. The outlet box must be UL Listed for ceiling fan installations. If it is not, a new box must be installed. Casablanca extension poles are available for sloped or high ceiling installations.
- This ceiling fan requires a grounded electrical supply of 120 VAC, 60 Hz and a minimum 15 amp circuit. The maximum current requirement for the fan with light fixture is 3.0 amps. The fan uses about 0.4 amps or 38 watts. Maximum light current is about 1.6 amps or 190 watts of lighting.
- Where wire nuts are employed, be sure all bare wires are within the connectors. When installing the canopy hatch, make sure all wires are within the canopy and that no wires are being pinched.
- **WARNING:** Do not bend the blade brackets when installing the brackets, balancing the blades, or cleaning the fan. Do not insert foreign objects in between the rotating fan blades.

### Unpacking

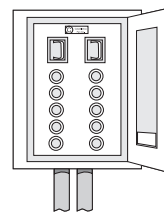
Before assembling and installing your ceiling fan, remove all parts from the shipping cartons and check them against the parts listed in the Parts Guide. Before discarding packaging materials, be certain that all parts have been removed.

**For best performance and for your warranty to be valid,  
use only genuine Casablanca blades, light fixtures, and accessories.**

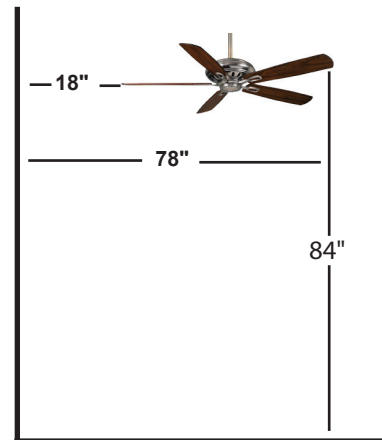
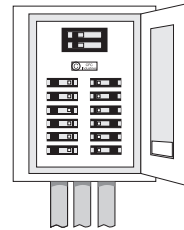
## SAFE USE

- The blades in each pack are matched for equal weight to assure smooth fan operation. If more than one fan is being installed, be careful not to mix blades from different cartons.
- Inspect the contents of your carton for possible shipping or handling damage. If parts are missing or damaged, call 1-888-227-2178.
- It is always a good idea to have an assistant to help with the installation.
- When cleaning, painting, or working near your fan, be very careful of the fan and blades. Always turn the power OFF to the ceiling fan before working on it or replacing lightbulbs.
- Never insert anything into the path of the fan blades while the fan is in operation.
- Never install a fan over a pool or spa.
- Never operate a fan that has been damaged in any way. Contact Casablanca Fan Company by calling 1-888-227-2178, or contact your local authorized Casablanca dealer for assistance in obtaining service.

**Fuse Box**  
(Remove fuse for the circuit you will be working on)



**Circuit Breaker**  
(Trip breaker for the circuit you will be working on)



Dimensions indicated are the minimum allowable for proper installation.

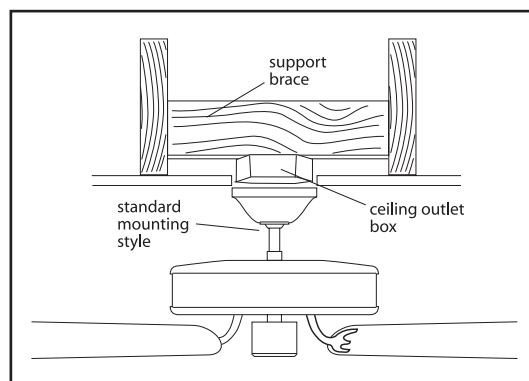
## MOUNTING RECOMMENDATIONS GENERAL GUIDELINES

Before mounting your Casablanca fan, read the following helpful recommendations. The location of the fan, air circulation, and fan size are all important factors to consider before installation.

### Location

Ceiling fans have practical uses in almost every room in your home. We suggest you follow these mounting recommendations as you decide where to install your Casablanca fan.

- For safety reasons, the fan blades must be a minimum of 7' above the floor.
- Do not locate the fan in a doorway or above a swinging door.
- In bedrooms, fans work best when mounted above the foot of the bed.
- Over pool tables, be sure to provide plenty of clearance to avoid damage from pool cues.
- In kitchens, be sure to allow for open cupboard doors to clear the fan blades.
- Do not install a fan close to or over a pool or spa. High humidity combined with corrosive gases will destroy the finish and warp the blades.



### Fan Size

Variable fan speed capability permits the use of a full-size 52" fan even in smaller rooms. For very large rooms, two fans may be needed.

## SLOPED CEILING INSTALLATIONS

### SUGGESTED EXTENSION POLE LENGTHS

Ceiling Height	Pole Length
8' 0"	3.5"
8' 6"	3.5"
9' 0"	12"
9' 6"	12"
10' 0"	18"
11' 0"	24"
12' 0"	36"
13' 0"	48"
14' 0"	60"

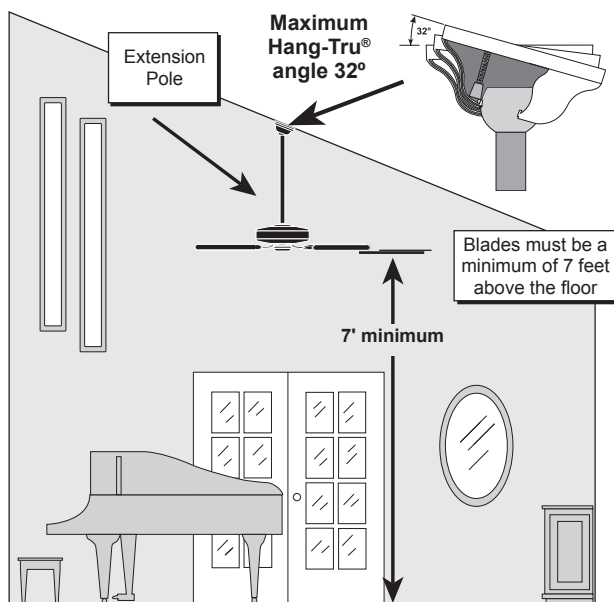
### When to Use Extension Poles

For optimum performance and appearance, an extension pole should be used with your Casablanca fan when installing on high (cathedral) ceilings or sloped ceilings. Casablanca offers standard poles in increments of 6" up to 5'. Custom poles are available in lengths up to 9'9". See your Authorized Casablanca Dealer for details.

**NOTE:** Fan may wobble or vibrate if pole length is not long enough and inside blade is too close to downslope or side wall. Extending pole length will usually solve the problem.

### Calculation of Ceiling Angle

Use the tear-off *Ceiling Angle Template* card inserted in this manual. It provides you with a simple "go" or "no-go" for installing your fan on a sloped ceiling.



This slope is less than 32°. It is OK to install your fan.



This slope is 32°. This is the maximum slope that will allow the fan to hang straight down. It is OK to install your fan.



This slope is more than 32°. Your fan will not hang straight down; an adapter is necessary. Contact your local Authorized Casablanca Dealer in regards to purchasing a "Sloped Ceiling Adapter."



# FAN INSTALLATION GETTING STARTED

## Installing a New Ceiling Fixture Outlet Box

If you do not have an existing fixture located where you wish to place your Casablanca fan, an approved ceiling fixture outlet box must be installed and wired.

**WARNING!**  
To reduce the risk of fire, electrical shock, or personal injury, mount to outlet box marked "Acceptable Fan Support of 22.7 kg (50 lbs.) or less" using the mounting hardware provided with the outlet box.

## Using Existing Ceiling Fixture Outlet Box

After turning the power OFF at its source (either the circuit breaker or fuse box), lower the old fixture and disconnect the wiring. Check the ceiling fixture outlet box to be sure it is marked "Approved for Ceiling Fan Mounting." If it is not, a new box must be installed.

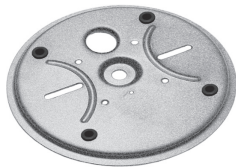
---

Note: The weight of this fan is 26 pounds.

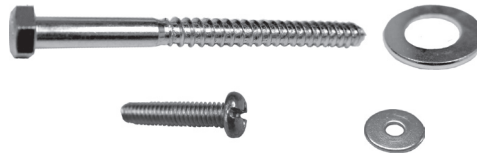
---

# CEILING PLATE INSTALLATION

CEILING HARDWARE (not to scale)



Ceiling Plate



Screw Pack:  
Lag Screw and Washer (1)  
1" x 8-32 Roundhead Screw and Washer (2)



Wire Nut (4)

---

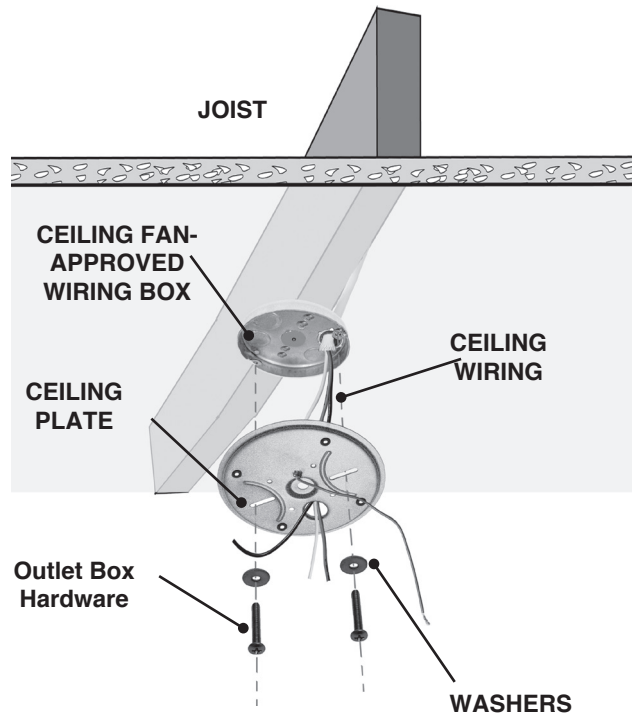
**Note:** After removing the old fixture, check the outlet box to ensure that it is supported by a joist or beam across its upper surface. If not, a 2 x 4 stud must be installed.

---

**Step 1a.** Remove the knockout plug in the center of the outlet box or drill a 1/2-inch hole for the lag screw to pass through. Then drill a 1/4-inch guide hole into the joist or beam to a depth of 3 inches.

**Step 1b.** Route the outlet box wires through the hole of the ceiling plate as shown. Attach the ceiling plate to the outlet box with the screws provided, making sure the outlet box wires are not being pinched.

**CAUTION:**  
To reduce the risk of personal injury, use only the mounting hardware provided with the approved outlet box to install the ceiling plate.





## LAG SCREW INSTALLATION

**NOTE:** This step is required only under two conditions: If the fan weighs 36 lbs. or more or if the existing ceiling fixture outlet box needs to be modified for a ceiling fan application (for example, if the house is not new construction and you are replacing an existing light fixture). We recommend that the ceiling box be of sufficient capacity to support the weight of the fan and light fixture under any conditions. If in doubt whether you need to install the lag screw, consult a qualified electrician.

**Step 2.** With the large washer attached, pass the lag screw through the center hole of the ceiling plate and screw into the guide hole. Tighten until the outlet box is mounted firmly to the beam. This box must be secured to the ceiling firmly.



## CANOPY INSTALLATION

CANOPY HARDWARE (not to scale)



Canopy Hatch

Canopy



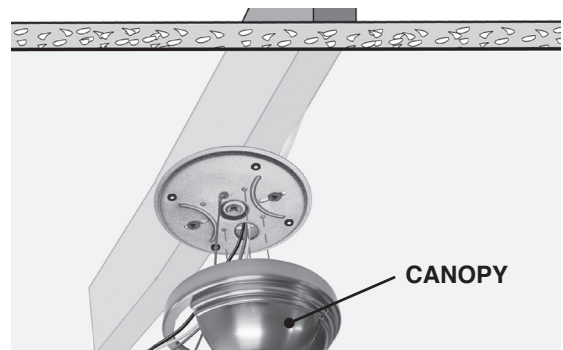
Canopy Screws and (4) Lock Washers



Phillips  
Screwdriver

**Step 3.** Attach the canopy to the ceiling plate with three of the 8-32 x 2 1/2" long canopy screws and lock washers provided with your Casablanca fan. Tighten using the provided screwdriver until snug against the ceiling.

**NOTE:** On sloped ceilings, align the canopy opening with the top or peak of the room.







## FAN PREPARATION

PERMA•LOCK™ HARDWARE (not to scale)



Perma•Lock™ Downrod and Ball Assembly



Hanging Adapter Cover



Canopy Cover Ring



Allen Wrench

### IMPORTANT SAFETY INFORMATION:

Before starting the installation of your ceiling fan, install the threaded downrod into the motor coupling and lock the assembly.

### PAPER MOTOR SHIELD



Figure #1

Prepare for fan installation as follows:

**Step 4a.** Remove the paper shield from the motor as shown in Figure #1.

**Step 4b.** Using the provided Allen wrench (attached to the paper motor shield), loosen the Allen set screw making sure that end of the Set Screw can not be seen within the motor coupling as shown in (Figure #2). If so, you will need to unscrew the Set Screw so that the tip of the Set Screw does not remain in the path of the downrod as shown in (Figure #3).

**CAUTION:** Failure to fully lock in the downrod before securely tightening the Allen set screw may cause the fan to separate from the downrod and fall during normal operation.



Figure #2



Figure #3

**FAN PREPARATION - CONTINUED**

**Step 4c.** Slide both the hanging adapter cover and canopy cover ring on to the pole, then route the wires through the 3.5" Perma-Lock downrod and ball assembly as shown in Figures #4. Insert the downrod into the motor coupling and turn it clockwise until it stops turning, ensuring that the pole has bottomed out.

**TIP:** The downrod has a tapered thread that is designed to lock completely when installed correctly.

**Step 4d.** Tighten the set screw with the Allen wrench as shown in Figure #5 to ensure safe operation of your fan. If it is tight enough, you should not be able to turn the downrod counterclockwise with your hands. If in doubt, tighten the set screw with the Allen wrench until you cannot turn it any further.

**CAUTION:** Failure to fully lock in the downrod before securely tightening the Allen set screw may cause the fan to separate from the downrod and fall during normal operation.

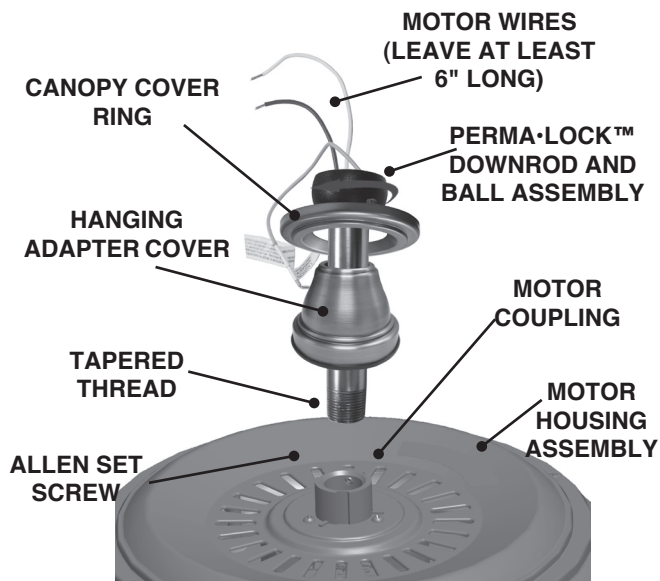


Figure #4

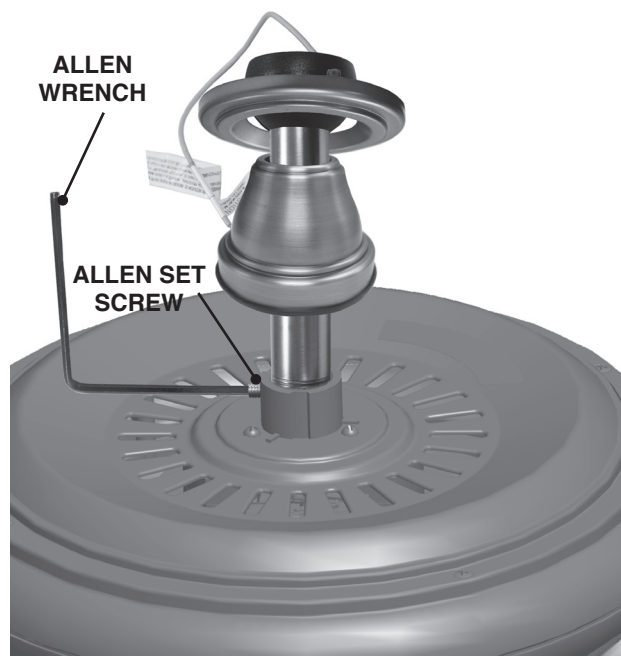


Figure #5



FAN PREPARATION - CONTINUED

**Step 4e.** Slide the hanging adapter cover down over the motor coupling as shown in Figure #6, making sure that the adapter cover is covering the motor coupling as in shown Figure #7.

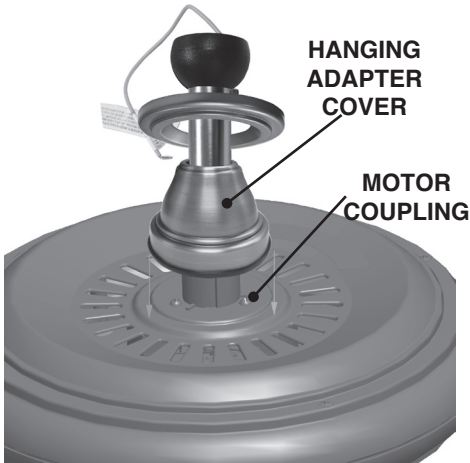


Figure #6

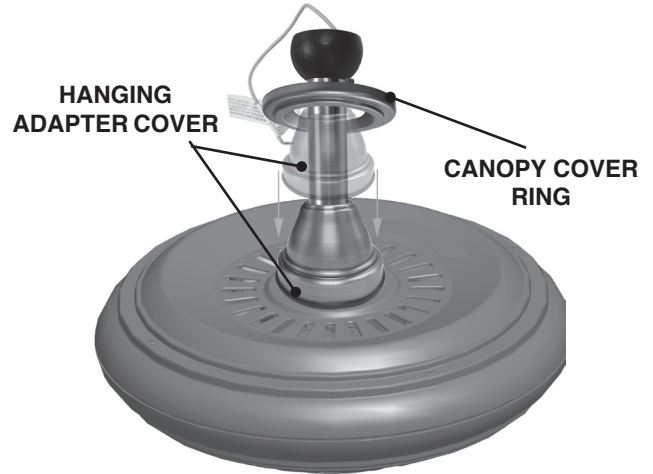
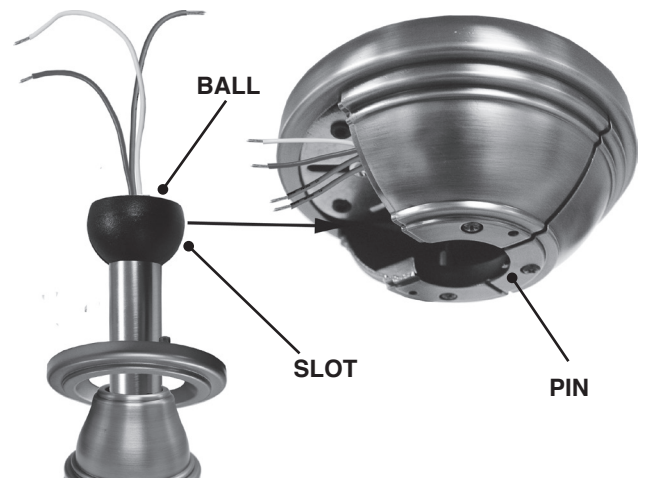


Figure #7

HANGING THE FAN

**Step 6a.** To hang the fan body in the canopy, hold the fan body firmly and insert the ball into the canopy opening. Check that no wires are pinched. Rotate the fan body until the slot in the ball fits into the pin opposite the canopy opening.

**Step 6b.** Trim excess motor wires, leaving at least 6 inches above the downrod. Strip 1/2-inch insulation from the end of each wire using a wire stripper (available at your local hardware store).

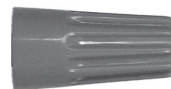


## CANOPY ELECTRICAL CONNECTIONS

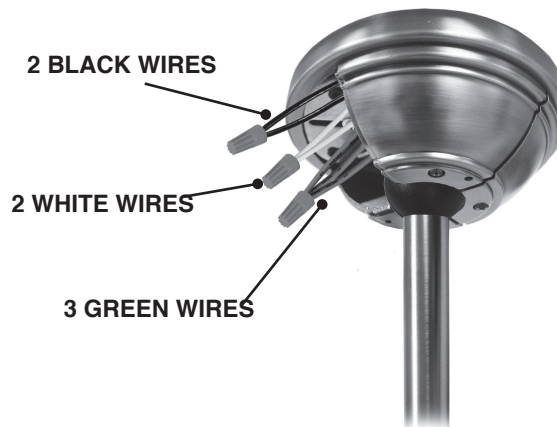
**Step 7.** Attach the fan wires to the ceiling fixture outlet box wiring by placing the bare ends of the wires side by side and then securing with a wire nut. Test that the connection is secure by pulling on the wire nut. Connect in this order:

- **GREEN** leads from mounting plate and downrod assembly of fan to **GROUND** conductor of power source. Secure with wire nut.
- **WHITE** wire from fan to white **NEUTRAL** wire in ceiling fixture outlet box. Secure with wire nut.
- **BLACK** power wire from fan to **BLACK** power wire in ceiling outlet box. Secure with wire nut.

**NOTE:** If the color of your ceiling wires differs from that described, consult an electrician.



WIRE NUT



2 BLACK WIRES

2 WHITE WIRES

3 GREEN WIRES

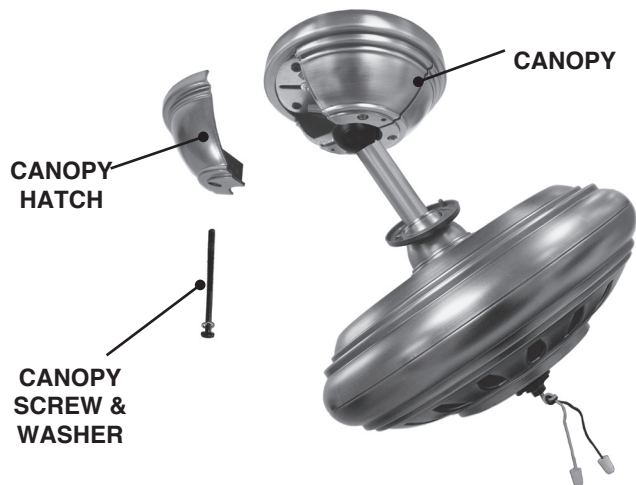
## CANOPY HATCH AND COVER RING INSTALLATION

**Step 8a.** Tuck the wires into the canopy with the wire nuts pointed upwards, so that the **WHITE** and **BLACK** wires are on opposite sides of the canopy and all wires are clear of the canopy opening.

**Step 8b.** Install the canopy hatch with the last canopy screw and lock washer using the provided screwdriver. To do this, tilt the fan body away from the hatch opening. Tighten the screws firmly.

**Step 8c.** Straighten the fan, then check to ensure there is no movement between the canopy and the ceiling or the Perma•Lock™ downrod and the ball assembly.

**Step 8d.** Locate the locking pins on the canopy cover ring as shown in Figure #2. Lift up on the canopy cover ring and guide the two (2) locking pins into the two (2) locking holes, then snap the canopy cover in to place as shown in Figure #3.

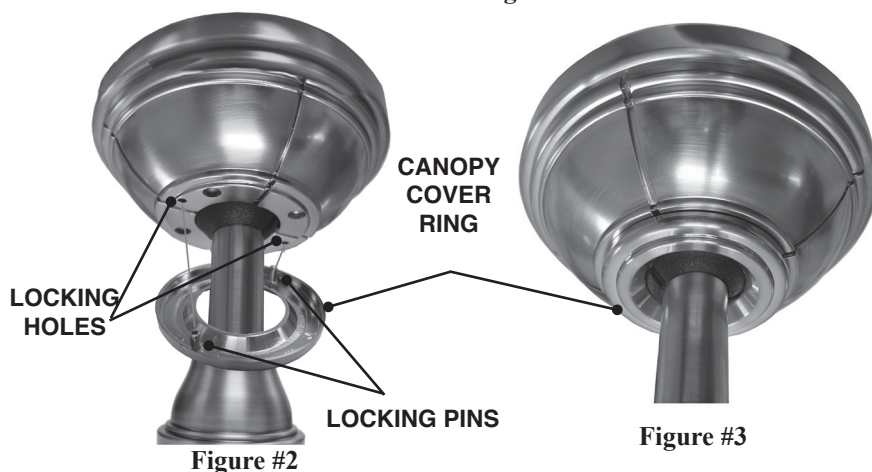


CANOPY HATCH

CANOPY SCREW & WASHER

CANOPY

Figure #1



LOCKING HOLES

CANOPY COVER RING

LOCKING PINS

Figure #2

Figure #3





## BLADE INSTALLATION

### BLADE HARDWARE (not to scale)



Blades (5)



Blade Irons (5)



Blade Iron Screws



Washers (16)



Blade Screws (16)



Phillips Screwdriver

**Step 9a.** Remove the five shipping blocks, and screws as shown in Figure #2. DO NOT discard the ten (10) screws; you will need them for installing the blades onto the fan.

### Attach Blade Irons

**Step 9B.** Attach a blade to a blade iron by first pressing the blade iron onto the blade, then attaching the blade iron using three blade screws and blade washers as shown in Figure #3. Using the provided screwdriver, tighten securely *by hand only*. Repeat for each blade assembly.

### Blade Installation

**Step 9c.** Before attempting to attach the blades, review Figure #4 for blade placement on the motor. The numbers and lines show screw placement when attaching the five blade irons and blades assemblies to the fan.

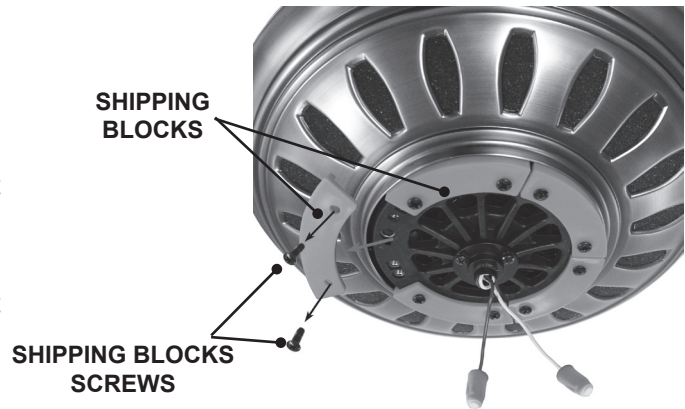


Figure #2

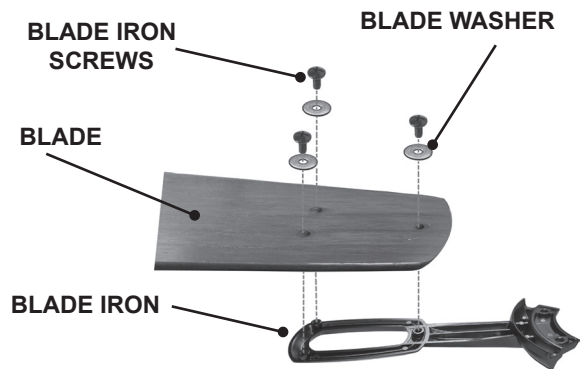


Figure #3

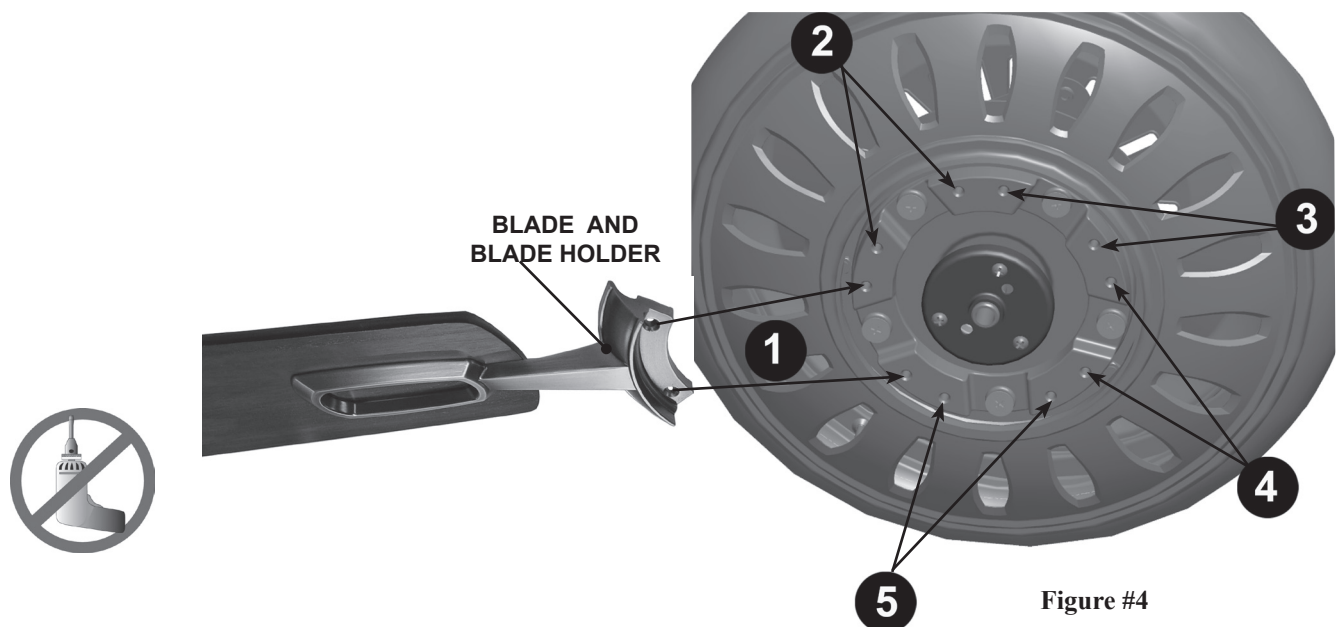


Figure #4

### Blade Installation Continued

**Step 10b.** Attach a blade/blade iron assembly to the motor by using two blade iron screws provided. Place the end of the blade iron on the motor as shown in Figure #5. Insert the screws one by one using the provided screwdriver. Tighten securely *by hand only*. Repeat for each blade/blade iron assembly until all five blades are attached to the fan as shown in Figure #6.

**CAUTION:**

Blade screws must be tightened securely before operating the fan.

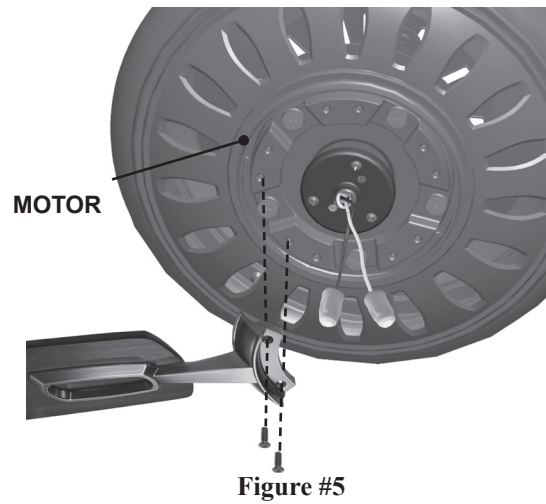


Figure #6

## LIGHT FIXTURE INSTALLATION (OPTIONAL)

NOTE: If you are installing your fan without a light kit attached as below in Figure #1, continue with these installation instruction Step 11a. If you have purchased a light kit for installation on your fan, skip this section and go to Step 13a on page 18 within this document.



Figure #1



**SWITCH HOUSING AND END CAP INSTALLATION**

**NO LIGHT KIT - Installation:**

**NOTE:** If you are installing your fan without a light kit attached as shown in Figure #1, continue with these installation instruction

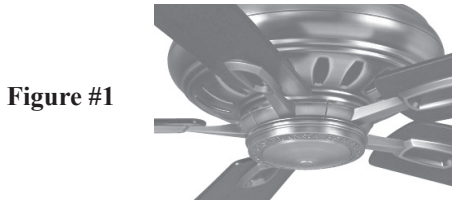


Figure #1

**SWITCH HOUSING HARDWARE (not to scale)**



Light Kit Adaptor Assembly

**Step 11a.** Locate the light kit adaptor assembly and screw plug as shown in the switch housing hardware section above. You will need to install the complete assembly for no light kit installation.

**NOTE:** Do not discard screws during disassembly, all screws will be needed for other installation steps within this document.

**Light Kit Adaptor Disassembly**

**Step 11b.** Locate and remove the one #6-32 screw that is attaching the bottom cap to the light kit adaptor assembly as shown in Figure #2 and remove the bottom cap. Do not discard screws during disassembly.

**Step 11c.** Locate and remove the four #6-32 screws from the cap and remove the cap. Do not discard the screws during disassembly.

**NOTE:** Locate the light kit adaptor as shown in Figure #2, this adaptor plate will need to be attached to the fan during fan installation for light kit or no light kit installation.

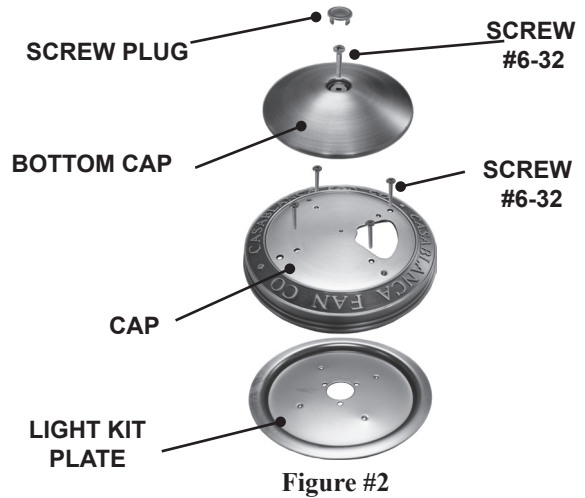


Figure #2

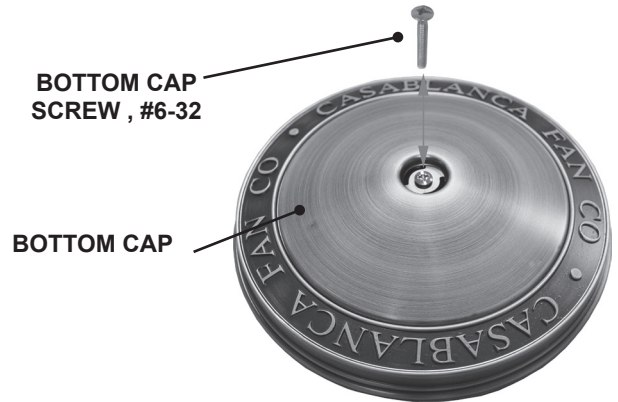


Figure #3

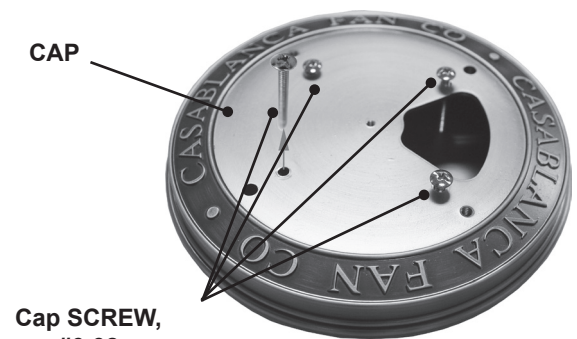


Figure #4



**Switch Housing and Light Kit  
Adaptor Installation: - ( NO LIGHT KIT)**

**Step 12a.** Locate and remove the three #8-32 screws from the center shaft adapter located on the bottom of the fan as shown in Figure #1. Do not discard the screws, all three screws will be needed for the next steps with in this document.

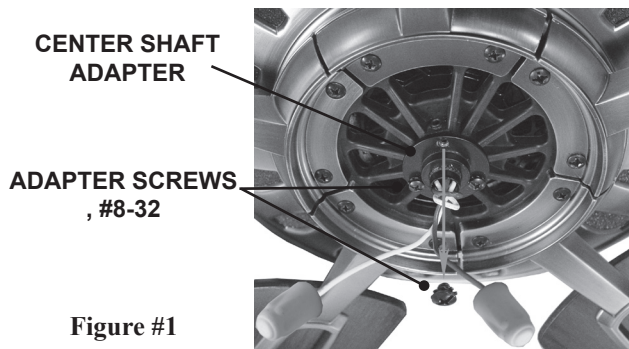


Figure #1

**Step 12b.** Locate the light kit adaptor plate and thread the BLUE and WHITE wires through the hole in the center of the light kit adaptor plate, also as shown in Figure #2.

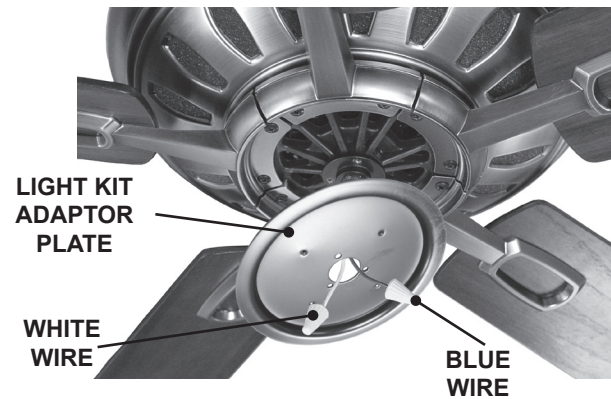


Figure #2

**Step 12c.** Locate the three screws that you removed from the center shaft adapter during Step 12a. These three screws are needed to attached the light kit adaptor plate to the fan. Align the screw hole on the light kit adaptor plate with the screw holes on the center shaft adaptor and insert all three screws as shown in Figure #3. Then tighten all three screws with the provided screwdriver.

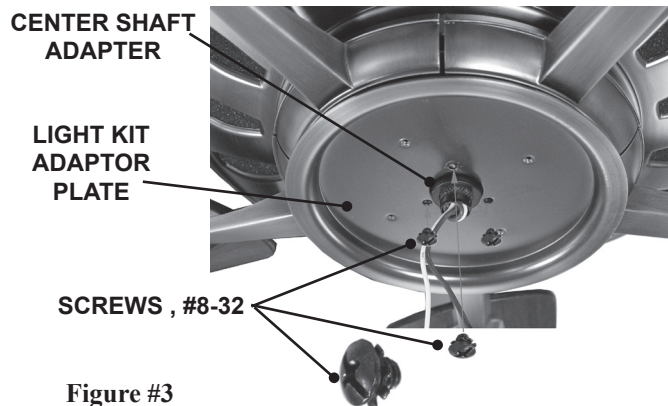


Figure #3

**NOTE:** Make sure that the wire nuts on the ends of the WHITE and BLUE wires are securely attached to the ends of the wires and that the wires are tucked out of the way so that the wires are not pinched when attaching the cap.

**Step 12d.** Locate the light kit adaptor plate cap as shown in Figure #4 and align the four screw holes on the cap with the holes on the light kit adaptor plate. Using the four (4) screws that you removed earlier from the light kit adaptor assembly (see step 11c), insert the four screws, attaching the cap to the bottom of the fan. Then tighten all four screws with the provided screwdriver.

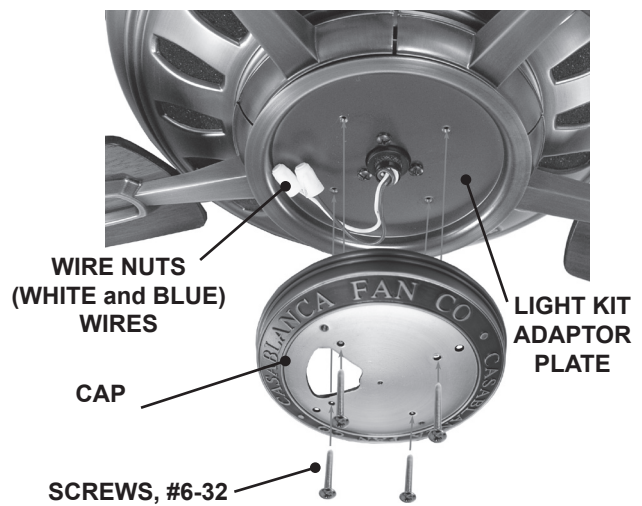


Figure #4



**Switch Housing and Light Kit  
Adaptor Installation - Continued ( NO LIGHT KIT)**

**Step 12e.** Locate the bottom cap and screw as shown in Figure #5, using the screw that you earlier removed from the light kit adaptor assembly (see step 11c) and insert cap screw through the hole in the center of the cap and attaching the cap the bottom of the fan as shown in Figure #5 on this page. Then tighten the screw with the provided screwdriver.

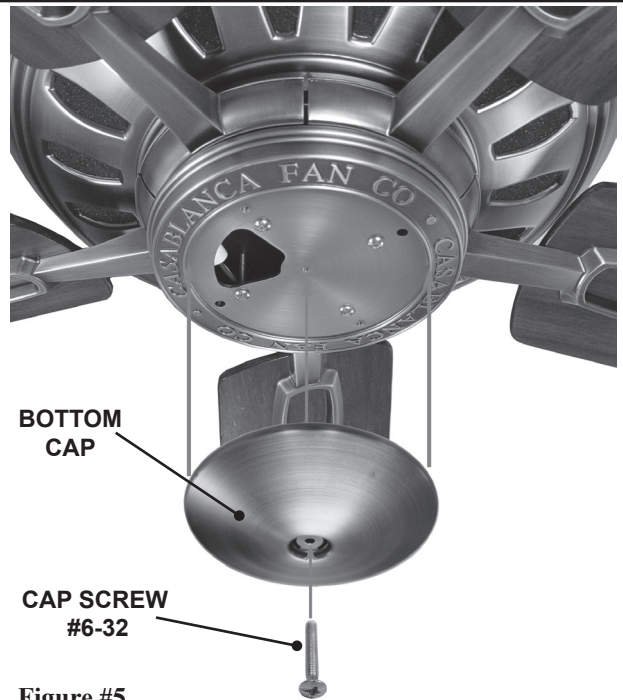


Figure #5

**Step 12f.** Locate the end cap screw plug shown in Figure #6, align and insert the two (2) holding tabs located on the screw plug with the slots located in the center of the end cap, then press on the plug locking end cap screw plug into place also as shown in Figure #6 and Figure #7.

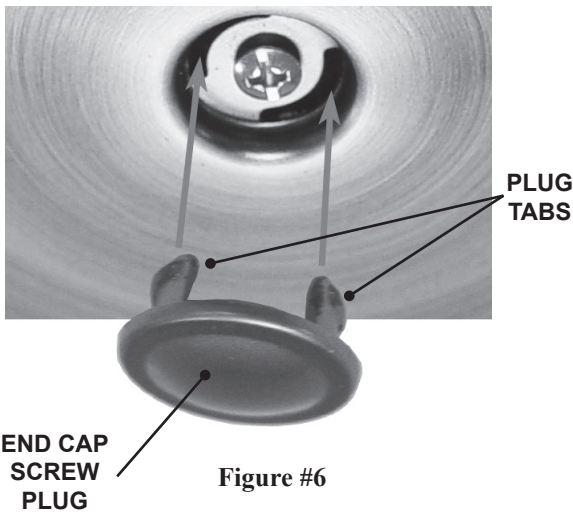


Figure #6

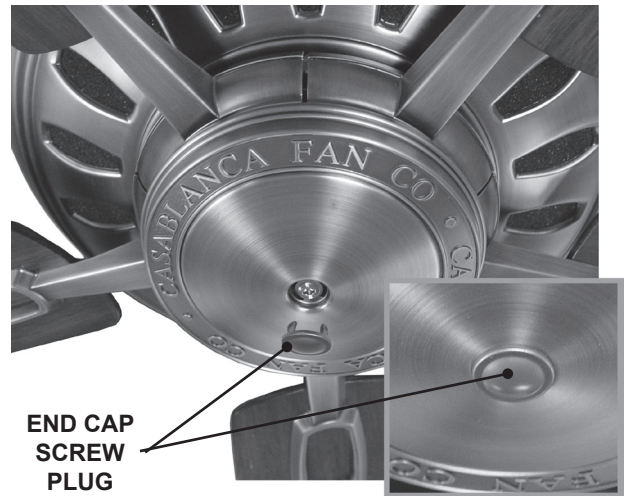


Figure #7

**Switch Housing and Light Kit  
Adaptor Installation ( NO LIGHT KIT ) - END**

**NOTE:** To continue installation instruction, go to (Inteli-Touch 3 - Control Installation) within this document.



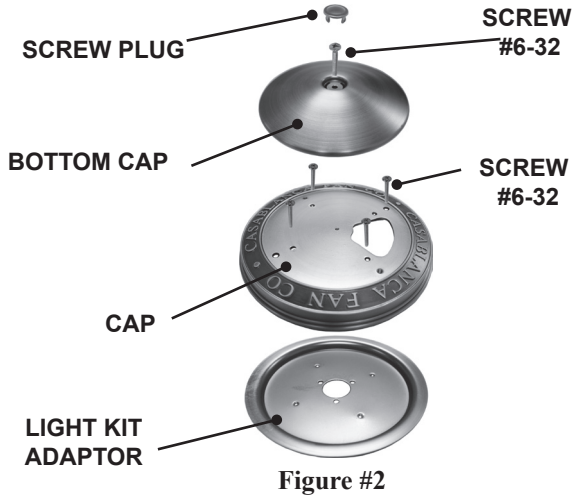
Figure #8

## SWITCH HOUSING AND END CAP INSTALLATION

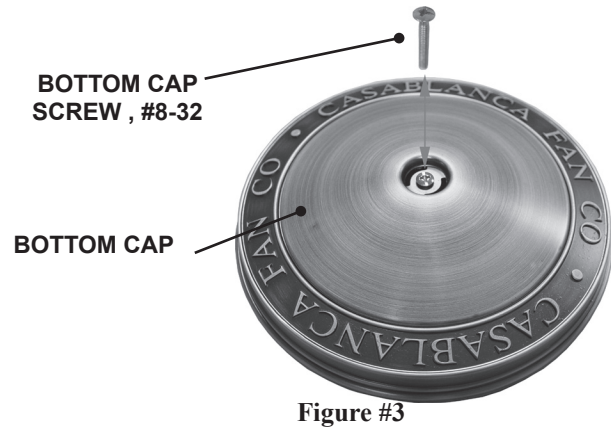
### LIGHT KIT - Installation:

**NOTE:** If you are installing your fan with a light kit attached as below in Figure #1, continue with these installation instruction Step 13a. Also you will need the installation instructions that came with your new light kit to complete the installation of the fan.

Figure #1



### SWITCH HOUSING HARDWARE (not to scale)

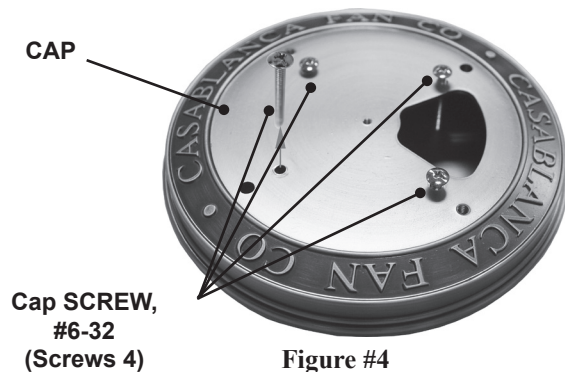


**Step 13a.** Locate the light kit adaptor assembly and screw plug as shown in the switch housing hardware section above. You will need to disassemble and use parts from the light kit adaptor assembly for adding a light kit to your fan.

**Do not discard screws during disassembly, all screws will be needed for other installation steps within this document.**

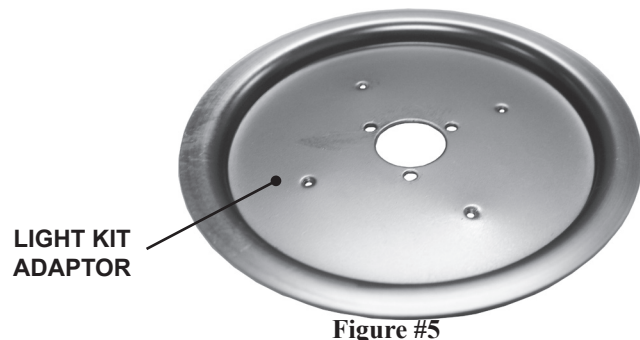
### Light Kit Adaptor Disassembly

**Step 13b.** Locate and remove the #6-32 screw that is attaching the bottom cap to the light kit adaptor assembly as shown in Figure #3 and remove the bottom cap. Do not discard screws during disassembly.



**Step 13c.** Locate and remove the four (4) #6-32 screws from the cap as shown in Figure #4 and remove the cap. Do not discard screws during disassembly.

**NOTE:** Locate the light kit adaptor as shown in Figure #5, this adaptor plate will need to be attached to the fan during fan installation, installation instructions continued on the next page of this document.







## Switch Housing and Light Kit Adaptor Installation: - Continued ( LIGHT KIT)

**Step 14a.** Locate and remove the three (3) #8-32 screws from the center shaft adapter located on the bottom of the fan as shown in Figure #6.

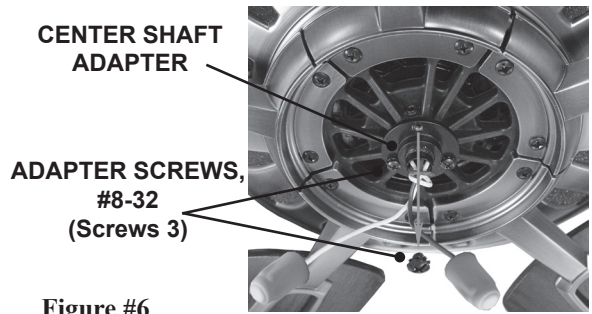


Figure #6

**Step 14b.** Locate the light kit adaptor plate as shown in Figure #7 and thread BLUE and WHITE wires through the hole in the center of the light kit adaptor plate, also as shown in Figure #7.

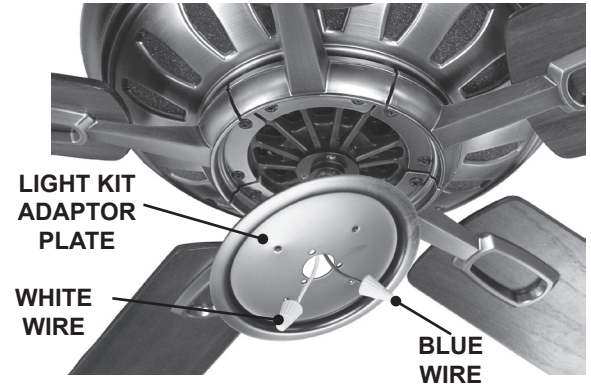


Figure #7

**Step 14c.** Locate the three (3) screws that you removed from the center shaft adapter during Step 14a, these three screws are needed to attached the light kit adaptor plate to the fan. Align the screw hole on the light kit adaptor plate with the screw holes on the center shaft adapter and insert all three (3) screws as shown in Figure #8. Then tighten all three screws with the provided screwdriver.

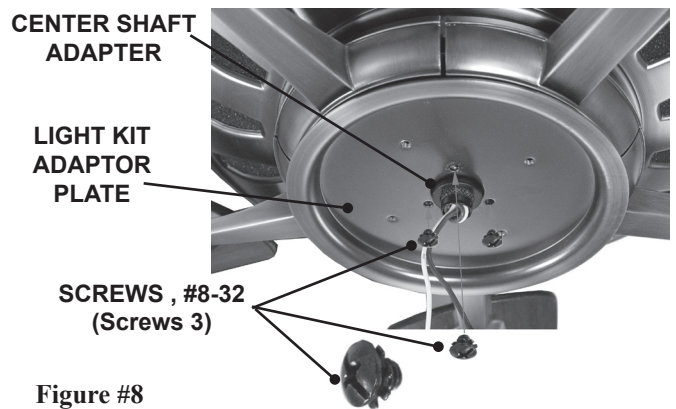


Figure #8

**Step 14d.** Locate the light kit adaptor plate cap as shown in Figure #9 and thread BLUE and WHITE wires through the hole in the center of the light kit cap, also as shown in Figure #9

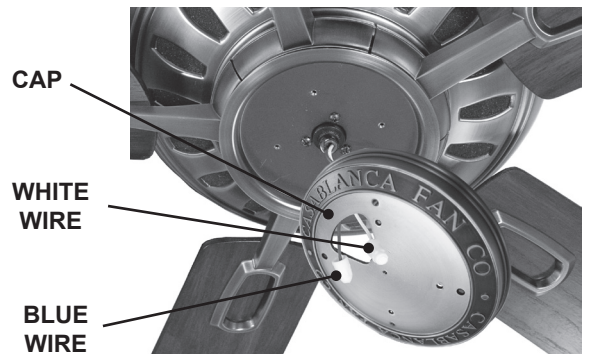


Figure #9

## Switch Housing and Light Kit Adaptor Installation: - Continued ( LIGHT KIT)

**Step 14e.** Align the four screw holes on the cap with the holes on the light kit adaptor plate, using the four (4) screws that you earlier removed from the light kit adaptor assembly (see step 11c) and insert the four (4) screws, attaching the cap to the bottom of the fan as shown in Figure #10 on this page. Then tighten all four (4) screws with the provided screwdriver.

**NOTE:** Locate and open the box for the light kit that you are installing on the fan and locate the installation instructions. If the installation instructions refer to attaching the light kit by screwing the center stem in to the bottom of the fan, switch housing cap or that the light kit is mounted by screw the center stem into the bottom of the fan, it may look like the light kit as shown in Figure # 12. You will need to use the switch housing cap that has been provided in the box as shown in Figure #11 during the installation of the light kit. Otherwise, skip to step 14g.

**Step 14f.** Locate the switch housing cap as shown in Figure #11. Then attach the light fixture to the switch housing cap by first threading the BLACK and WHITE wires through the hole in the center of the switch housing cap, also as shown in Figure #13, and then screw the light kit fixture to the bottom of the switch housing cap by screwing the center stem of the light fixture into the bottom switch housing cap as shown in Figures # 13 and #14. Secure the light kit to the switch housing by placing the lock washer and hex nut you removed from the light kit onto the center stem and screw on firmly.

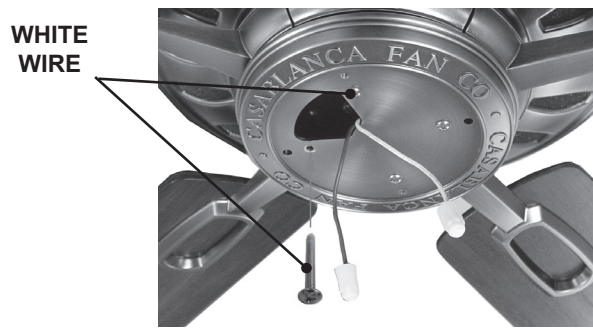


Figure #10

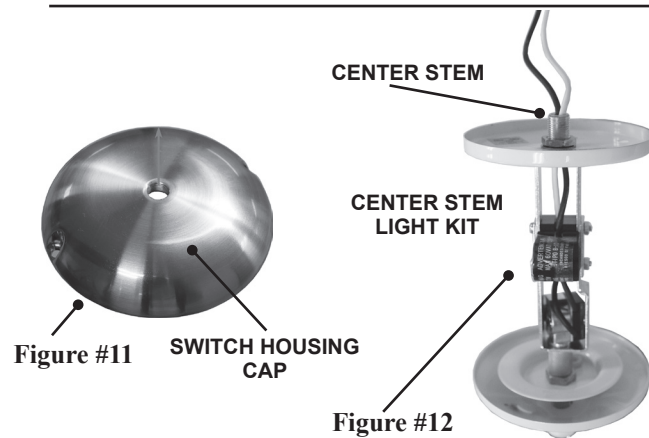


Figure #11

Figure #12



Figure #14

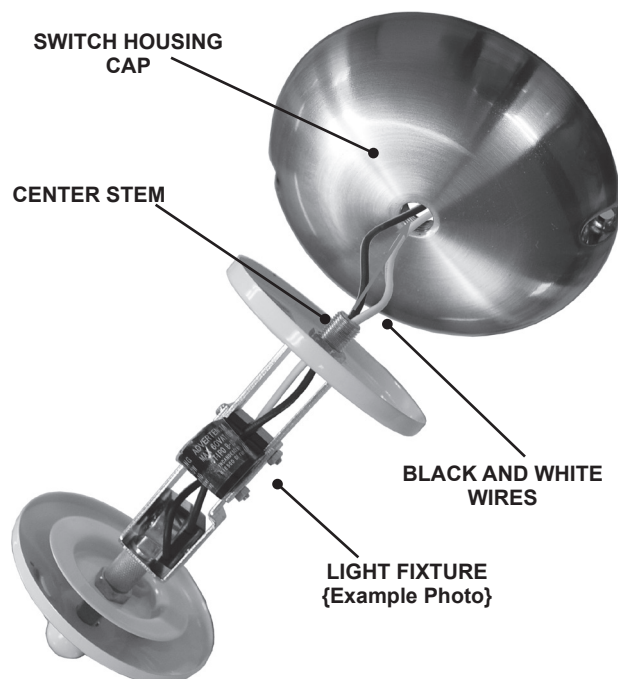
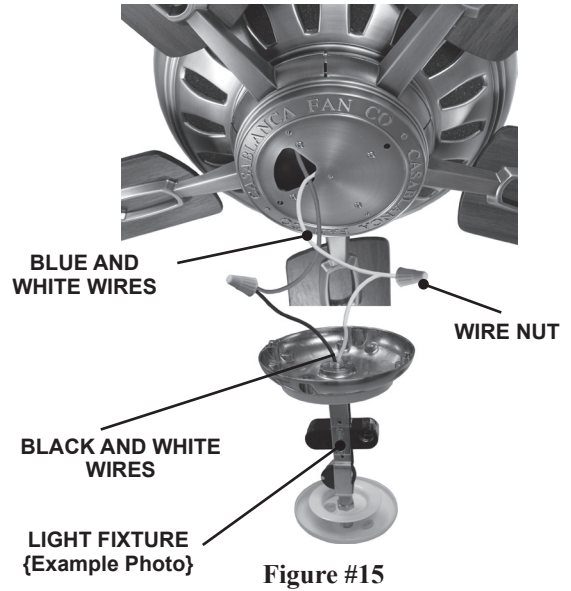


Figure #13

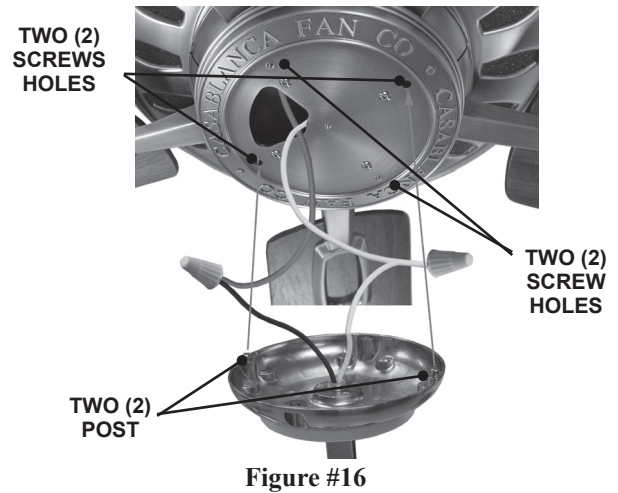


**Switch Housing and Light Kit  
Adaptor Installation: - Continued ( LIGHT KIT)**

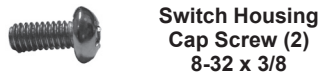
**Step 14g.** Connect the wires of the motor to the wires of the light fixture. Connect the **BLUE** wire from the motor to the **BLACK** wire of the light fixture and connect the two **WHITE** wires together, as shown in Figure #15. Secure the connection using the wire nuts.



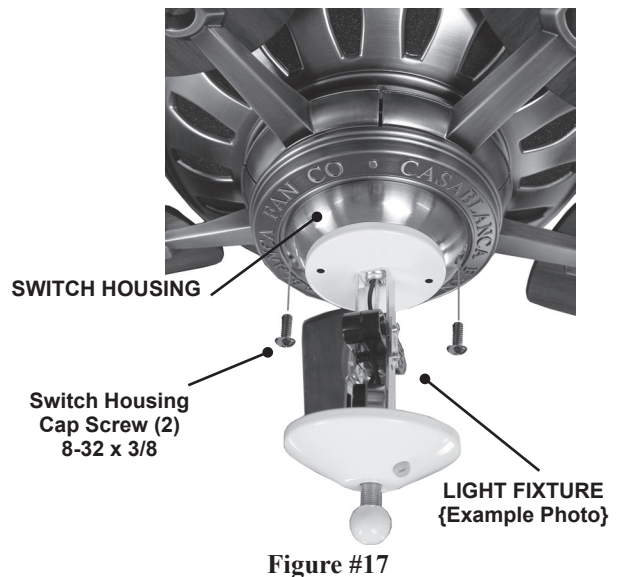
**Step 14h.** Align the two (2) posts on the light kit assembly and the two (2) holes located on the switch housing cap as shown in Figure #16 and insert the posts on the light kit assembly into the two (2) holes on the light kit adaptor plate cap as shown in Figure #16.



**Step 14h.** Locate the two (2) switch housing cap screws as shown in Figure #17. Then attach the light fixture to the switch housing on the bottom of the fan as shown in Figure #17 and tighten the screws with the provided screw driver.



**Step 15i.** At this time locate and continue the installation of the light kit by using the installation instructions that were provided within the box with the light kit. Once the light kit has been installed return to the next section (WALL CONTROL PREPARATION) of this document. You will need to install the wall control (W-84) and learn how to operate the fan and light on the Holliston fan.





# DC Control

## CONTROL INSTALLATION AND OPERATION

### CONTROL BATTERY INSTALLATION

**Step 1.** Open battery compartment door by pressing down and sliding battery door down.

**Step 2.** Install 1 "A23" "MN21" alkaline battery in the space provided. Please observe proper polarity placement.



### CHANGING FREQUENCY SETTING

**You will have to change the dip switch settings in the remote if you are using more than one fan in the same area and want to control them separately.**

**Step 1.** At the circuit breaker or fusebox, turn the power off for the fan you want to change.

**Step 2.** Open the battery compartment door of the remote control and remove the battery.

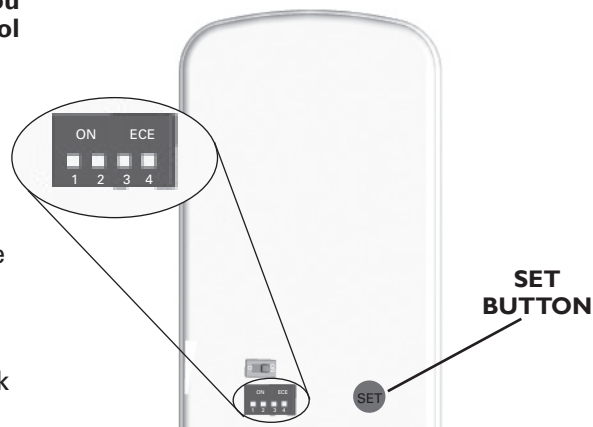
**Step 3.** Change the dip switch settings, assuring that they are different from the previously installed fan(s).

**Step 4.** Re-install the battery in the proper polarity.

**Step 5.** At the circuit breaker or fuse box, turn the power back on for the fan whose frequency you are changing.

**Step 6.** Within 60 seconds of restoring power, push and hold the SET button in the battery compartment for 5 seconds. (If there is a light on the fan it will flash twice indicating completion of this step) You should now have control of the fan.

**Step 7.** Reinstall battery compartment door.



**Note:** You may want to label your controls to assure you do not mix them up.

### OPERATION CFL MODE

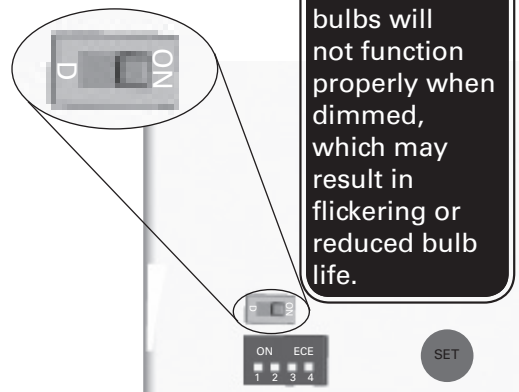
Your fan has the ability to disable the dimming feature to allow the use of CFL bulbs.

To activate CFL mode:

1. Open the battery compartment door.
2. With the fan power off, move the toggle switch towards "D".
3. Replace the battery compartment door.
4. Press the power button again to restore power to the fan.

To cancel CFL mode:

5. Open the battery compartment door.
6. With the fan power off, move the toggle switch towards "ON".
7. Replace the battery compartment door.



**Caution:** CFL bulbs will not function properly when dimmed, which may result in flickering or reduced bulb life.





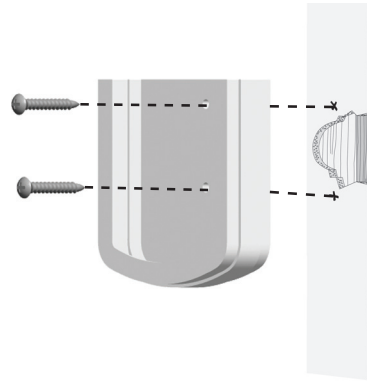
# DC Control

## CONTROL HOLSTER INSTALLATION

**Step 1.** Locate a 2x4 wall stud in a convenient location.

**Step 1.** Orient the control bracket as shown over the 2x4 stud.

**Step 1.** Use the provided screws in the mounting holes. Install and tighten screws by hand only.



## OPERATION SPEED CONTROL

There are six individual speed settings for the fan. Each speed is indicated by the number on the controller. **To properly calibrate all speeds of the motor, run the fan on speed "6" for 90 seconds after each AC power reset.**

**To select the desired fan speed:**

Press the number on the controller corresponding to the speed desired. ■ is off.



---


Note: It is normal for the fan to start in the "High" position from "Off" before changing to the selected speed.

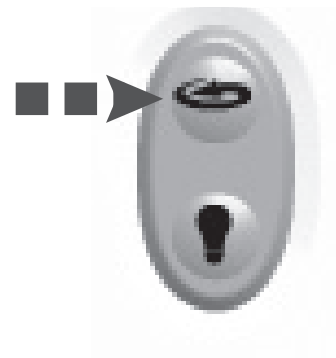
---

## OPERATION REVERSING AIRFLOW

The direction of airflow can be changed from downward to upward or from upward to downward.

**To reverse the airflow:**


1. Make sure the fan is on and blades are turning.
2. Press the  reverse button. The fan will stop and teeter back and forth and then change directions.




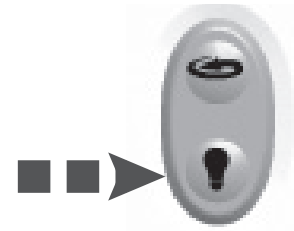


## DC Control

### OPERATION LIGHTS

To turn the lights off and on, press and release the  button for less than one second.

To dim the light, Press and hold the  button for more than 1 second. The light will come on at the last brightness setting and increase in brightness until full power is reached, then start dimming until the lowest setting is reached. This cycle will repeat until you release the light button.



---

Note: The dimming feature will only work as long as the dimming feature remains active. See "Operation CFL mode".

---

The product contains several safety features:

- If the blades are obstructed during use, the motor will turn off within 3 seconds of interruption. If this occurs, simply reset motor by turning power off at the circuit breaker or fuse box and then back on.
- When the receiver detects power consumption greater than 80 Watts, power to the fan will be stopped, simply restart fan by selecting desired speed on control.



## TROUBLESHOOTING TIPS

Please refer to this troubleshooting guide before requesting service or contacting your dealer for assistance.

PROBLEM	POSSIBLE REMEDIES
Fan will not start	<ul style="list-style-type: none"> <li>• Check the main circuit fuses, circuit breakers, and wall switch position. Check all wire connections. Make sure the power is turned off during this inspection.</li> <li>• Pin connectors are not making good contact. Check all connections.</li> <li>• The fan receiver is defective. Replace the fan receiver.</li> <li>• Reset the frequency setting: Turn the power off at the circuit breaker for the fan that is not functioning only. Within 60 seconds of restoring power, push and hold the SET button in the battery compartment for 5 seconds. You should now have control of the fan.</li> </ul>
Fan wobbles or shakes excessively	<ul style="list-style-type: none"> <li>• Be sure the canopy pin is set properly into the slot on the ball.</li> <li>• Check that the blade holders have not been bent during installation and the blades are balanced.</li> <li>• The hanger bracket and/or the ceiling outlet are attached too loosely. Make sure the hanger bracket is attached tightly to the ceiling outlet box and the downrod assembly is secured firmly.</li> <li>• The downrod is attached to the downrod base too loosely. Make sure all the screws are securely tightened.</li> </ul>
Fan is noisy during operation	<ul style="list-style-type: none"> <li>• When changing fan speeds, you may hear several audible clicks. This is normal operation.</li> <li>• Check and tighten the light fixture retaining screws, glass shade screws, and/or lightbulb(s).</li> <li>• Tighten the canopy screws and mounting plate assembly. Make sure the wire nuts inside the canopy and switch housing are not touching the metal parts and that they have not fallen off the wire splices. Tighten as necessary.</li> <li>• Tighten the blade holders to the motor) and the blades to the bladeholder screws.</li> <li>• Make sure all the screws in the motor housing are snug but not overly tight.</li> </ul>
Fan speeds do not appear correct	<ul style="list-style-type: none"> <li>• Reset A/C power to the fan and run on speed "6" for at least 90 seconds.</li> </ul>

This device complies with RSS-210 of Industry Canada. Operation is subject to the following two conditions: (1) this device may not cause interference, and (2) this device must accept any interference, including interference that may cause undesired operation of the device.

1. This device complies with part 15 of the FCC Rules. Operation is subject to the following two conditions: (1) this device may not cause harmful interference, and (2) this device must accept any interference received, including interference that may cause undesired operation.

2. This equipment has been tested and found to comply with the limits for a Class B digital device, pursuant to Part 15 of the FCC Rules. These limits are designed to provide reasonable protection against harmful interference in a residential installation. This equipment generates, uses and can radiate radio frequency energy and, if not installed and used in accordance with the instructions, may cause harmful interference to radio communications. However there is no guarantee that interference will not occur in a particular installation. If this equipment does cause harmful interference to radio or television reception, which can be determined by turning the equipment off and on, the user is encouraged to try to correct the interference by one or more of the following measures: Reorient or relocate the receiving antenna. Increase the separation between the equipment and receiver, Connect the equipment into an outlet on a circuit different from that to which the receiver is connected. Consult the dealer or an experienced radio/TV technician for help. Note: Any changes or modifications to the transmitter or receiver not expressly approved by Casablanca Fan Company may void one's authority to operate this remote control.

## CARE RECOMMENDATIONS

### Fan Finishes

- For cleaning, a soft brush or lint-free cloth should be used to prevent scratching the finish.
- A vacuum cleaner brush nozzle can remove heavier dust.
- Surface smudges or an accumulation of dirt and dust can be removed easily using a mild detergent and slightly dampened soft cloth. An antistatic agent may be used, but **never use abrasive cleaning agents** as these will damage the finish.

### Blades

- Wood-finish blades should be cleaned with a furniture polishing cloth. Occasionally, a light coat of furniture polish may be applied for added protection and beauty.
- For painted and high-gloss blades, surface smudges or an accumulation of dirt and dust can be removed easily using a mild detergent and slightly dampened soft cloth. An antistatic agent may be used, but **never use abrasive cleaning agents** as these will damage the finish.

### No Need for Lubrication

- **Never lubricate this fan!** The precision motor at the heart of your Casablanca fan features sealed bearings that are lubricated for life.
- Do not attempt to oil the motor.

For questions or to locate the nearest Casablanca Authorized Service Center

call toll free: 1-888-227-2178  
or visit us on the web at: [www.casablancafanco.com](http://www.casablancafanco.com)

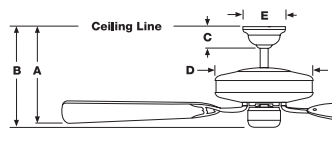
The product contains several safety features:

- If the blades are obstructed during use, the motor will turn off within 3 seconds of interruption. If this occurs, simply reset motor by turning power off at the circuit breaker or fuse box and then back on.
- When the receiver detects power consumption greater than 80 Watts, power to the fan will be stopped, simply restart fan by selecting desired speed on control.

## PRODUCT SPECIFICATIONS

**Model Name:** Holliston  
**Model Number:** C31UxxB

**Dimensions:**  
A = 11.7"  
B = 13.1"  
C = 3"  
D = 13.9"  
E = 7"



**Motor:** DC Motor  
**Blade Span:** 60"  
**Blade Iron Pitch:** 15°  
**No. of Blades:** 5  
**Technology:** DC Control  
**Airflow:** 7102 cfm  
**Electricity Use:** 32 watts  
**Airflow Efficiency:** 222 cfm/watt

**Weight:** 26 lbs.